



Revision systems



■ List of materials

MATERIAL	ISO	DIN	ASTM
Stainless steel	5832-1	17 443 W.Nr. 1.4441	F 138 Grade 2
Wrought high nitrogen stainless steel	5832-9		
Unalloyed titanium	5832-2	17 850 W.Nr. 3.7035	F 67 Grade 1
Wrought titanium Ti6Al4V alloy	5832-3	17 851 W.Nr. 3.7165	F 136 TI-6Al-4V E.L.I.
Co-Cr-Mo casting alloy	5832-4		F 75
Wrought Co-Cr-Mo alloy	5832-12		
UHMWPE	5834-2		F 648
Crosslinked UHMWPE	5834-2		F 648
Polymethylmethacrylate (PMMA)			
Ceramic BIOLOX [®] delta	6474		



■ Contens

HIP

▪ List of implants	4 - 7
▪ Femoral components	8 - 10
▪ Cerclage system	11
▪ Acetabular components	12 - 15

KNEE

▪ List of implants	16 - 17
▪ Revision knee endoprothesi	18 - 27
▪ Hinge rotation knee endoprothesi	28 - 31

■ Femoral components



RMD stem
(see page 8)



Revision SF stem
(see page 9)



Cemented revision stem
(see page 10)

■ Acetabular components



Reconstruction acetabular cage
(see page 12)



Reconstruction acetabular cage - type BS
(see page 13)



Oval revision shell – type TC
(see pages 14 & 15)

■ Revision modular stem – type RMD

The implant is tackling (through accurate and quick surgical technique) essential problems that may appear when cemented or/and cementless stems have failed and have to be replaced.

Its shape concept is securing:

- implant stability
- optimal modularity in majority of the revision cases
- tailored assembly of implant
- correct neck set-up
- optimal positioning
- renewal and retention of limb length
- superior osteointegration
- optimal infilling of medullary canal

The implant consists of the components as follows (details - see page 8) :

- Proximal segment - type A
- type AX
- Connecting screw w/safety peg is delivered as part of proximal segment
- Stem - type K



■ Oval revision shell - type TC

The implant is intended for a vaulting of acetabular defects.

Features :

- it exploits the shape of cementless shell (type SF)
- it allows the stabilization even in a defective acetabulum
- it allows the fixation out of defective tissue without using an excessive approach
- it improves the conditions for a follow-up re-implantation
- it is based on a press-fit fixation principle

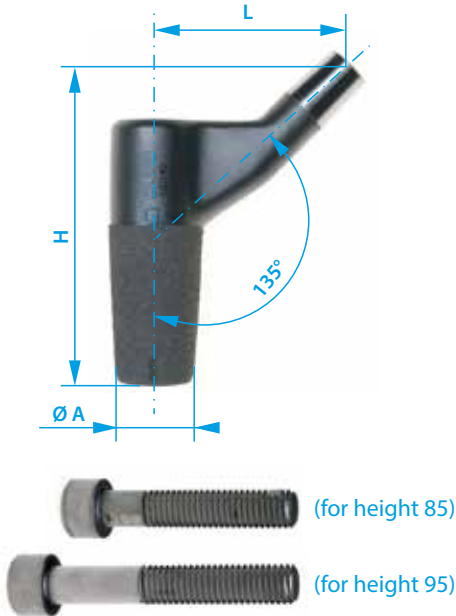
The implant consists of the components as follows (details - see pages 14 & 15):

- Acetabular shell - type TC
- Insert of cementless acetabular shell type SF - standard
 - with offset 10°
- Distal hook
- Screws - cortical
 - cancellous
 - angular stable



■ Proximal segment - type RMD

Material: Wrought titanium Ti6Al4V alloy (ISO 5832-3)



Type	L [mm]	Diameter A [mm]	H [mm]	Marks	Order number
A	44	18	85	18-85 A	324301
			95	18-95 A	324302
		20	85	20-85 A	324306
			95	20-95 A	324307
		23	85	23-85 A	324311
			95	23-95 A	324312
AX	50	18	85	18-85 AX	324321
			95	18-95 AX	324322
		20	85	20-85 AX	324326
			95	20-95 AX	324327
		23	85	23-85 AX	324331
			95	23-95 AX	324332

Connecting screw w/safety peg is delivered as a part of proximal segment.

■ Cementless stem - type RMD

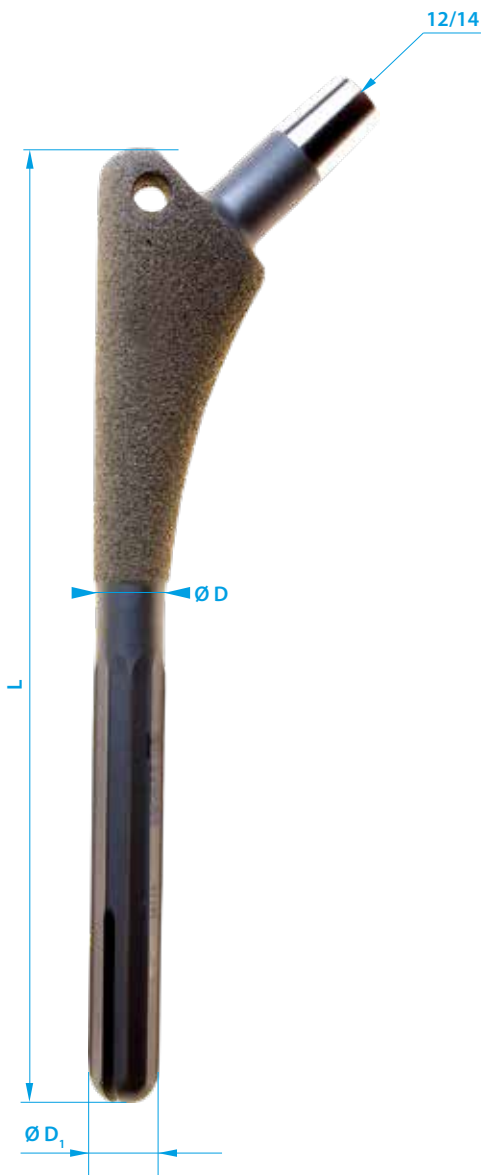
Material: Wrought titanium Ti6Al4V alloy (ISO 5832-3)



Type	Diameter B [mm]	L [mm]	Marks	Order number
K	12	135	12/135 K	324346
		175	12/175 K	324347
		215	12/215 K	324348
	14	135	14/135 K	324351
		175	14/175 K	324352
		215	14/215 K	324353
	16	135	16/135 K	324356
		175	16/175 K	324357
		215	16/215 K	324358
	18	135	18/135 K	324361
		175	18/175 K	324362
		215	18/215 K	324363
20	135	20/135 K	324366	
	175	20/175 K	324367	
	215	20/215 K	324368	
22	135	22/135 K	324371	
	175	22/175 K	324372	
	215	22/215 K	324373	

■ Cementless revision stem – type SF

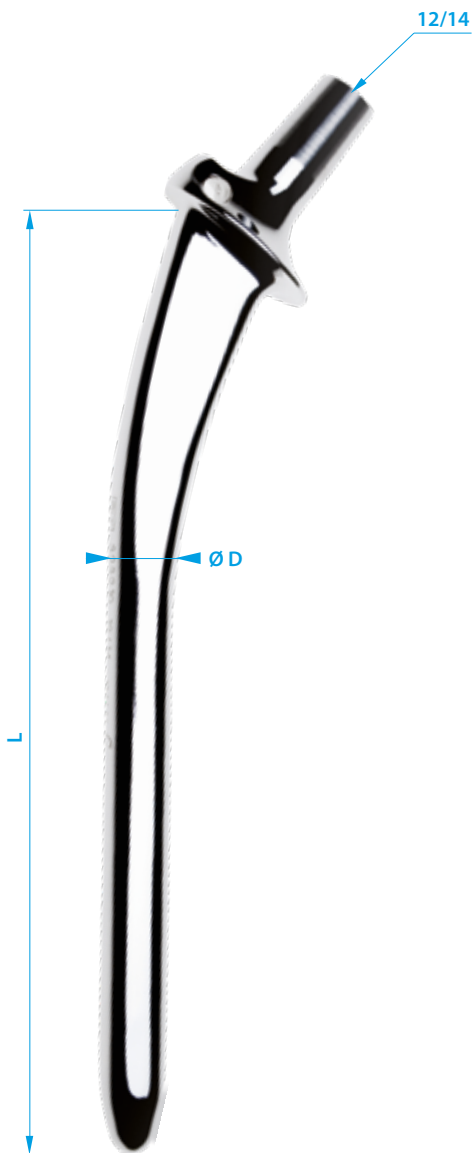
Material: Wrought titanium Ti6Al4V alloy (ISO 5832-3)



L [mm]	Diameter D [mm]	Diameter D ₁ [mm]	Marks	Order number
190	10	11	10/190	322050
	12	13	12/190	322051
	14	15	14/190	322052
	16	17	16/190	322053
	18	19	18/190	322054
	20	21	20/190	322055
	22	23	22/190	322056
230	10	11	10/230	322060
	12	13	12/230	322061
	14	15	14/230	322062
	16	17	16/230	322063
	18	19	18/230	322064
	20	21	20/230	322065
	22	23	22/230	322066

■ Cemented revision stem

Material: Wrought high nitrogen stainless steel (ISO 5832-9)



Diameter D [mm]	L [mm]	Order number
11	160	323005
	180	323010
	200	323015
	220	323020
	240	323025
	260	323030
	280	323035
	300	323040
12	160	323105
	180	323110
	200	323115
	220	323120
	240	323125
	260	323130
	280	323135
	300	323140
13	160	323205
	180	323210
	200	323215
	220	323220
	240	323225
	260	323230
	280	323235
	300	323240
14	160	323305
	180	323310
	200	323315
	220	323320
	240	323325
	260	323330
	280	323335
	300	323340

■ Cerclage band

Material: Unalloyed titanium (ISO 5832-2)



Length [mm]	Width [mm]	Thickness [mm]	Order number
270	7,5	0,5	410000

■ Rider with spikes

Material: Unalloyed titanium (ISO 5832-2)



Length [mm]	Width [mm]	Height [mm]	Order number
12	9,5	4,5	410010

■ Cerclage plate

Material: Wrought titanium Ti6Al4V alloy (ISO 5832-3)



Length [mm]	Width [mm]	Thickness [mm]	Order number
170	10	2,5	410020
200			410022
230			410024

■ Reconstruction acetabular cage - type II/A

Material: Stainless steel (ISO 5832-1)



Diameter D [mm]	Cup diameter [mm]	Order number
46	44	333560
52	49	333562
56	54	333564

■ Reconstruction acetabular cage - type II/B

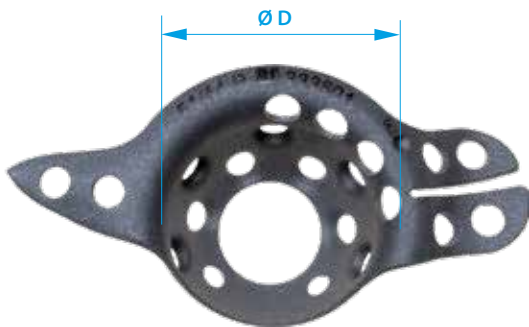
Material: Stainless steel (ISO 5832-1)



Diameter D [mm]	Cup diameter [mm]	Order number
46	44	333570
52	49	333572
56	54	333574

■ Reconstruction acetabular cage - type BS

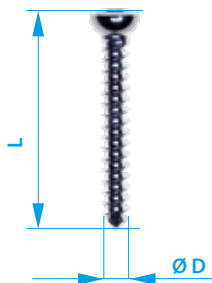
Material: Stainless steel (ISO 5832-1)



left (L) / right (R)	Diameter D [mm]	Cup diameter [mm]	Order number
L	51	44	333600
	56	49	333610
R	51	44	333601
	56	49	333611

■ Cortical screw - short head

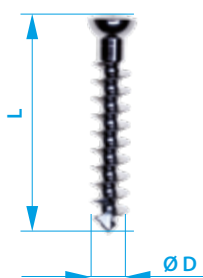
Material: Stainless steel (ISO 5832-1)



Diameter D [mm]	L [mm]	Order number
4,5	25	119025
	30	119030
	35	119035
	40	119040
	45	119045

■ Cancellous screw - short head

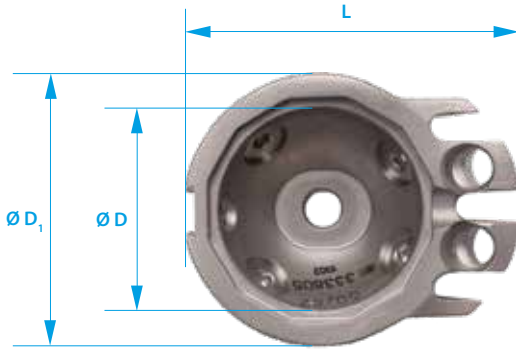
Material: Stainless steel (ISO 5832-1)



Diameter D [mm]	L [mm]	Order number
6,5	25	119125
	30	119130
	35	119135
	40	119140
	45	119145

■ Oval revision shell - type TC

Material: Wrought titanium Ti6Al4V alloy (ISO 5832-3)



Diameter D [mm]	Diameter D ₁ [mm]	L [mm]	Oval (D ₁ /L)	Order number
46	50	62	12	333805
		68	18	333806
52	56	68	12	333815
		74	18	333816
60	64	76	12	333825
		82	18	333826

■ Insert of cementless acetabular shell - type SF (standard)

Material: Crosslinked UHMWPE (ISO 5834-2)



Diameter A [mm]	Shell diameter - D (as per above) [mm]	Order number
28	46	332502
	52	332508
	60	332516
32	52	332608
	60	332616

■ Insert of cementless acetabular shell - type SF (with offset 10°)

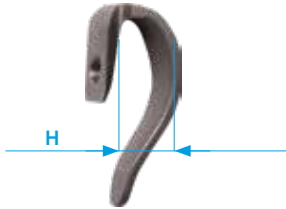
Material: Crosslinked UHMWPE (ISO 5834-2)



Diameter A [mm]	Shell diameter - D (as per above) [mm]	Order number
28	46	332532
	52	332538
	60	332546
32	52	332638
	60	332646

■ Distal hook - type TC

Material: Unalloyed titanium (ISO 5832-2)



Type	H [mm]	Order number
S	12	333840
L	18	333842

■ Cortical screw for cementless shell - type TC

Material: Wrought titanium Ti6Al4V alloy (ISO 5832-3)



Diameter [mm]	L [mm]	Order number
4,5	15	331906
	20	331908
	25	331910
	30	331912
	35	331914
	40	331916
	45	331918
	55	331922

■ Cancellous screw for cementless shell - type TC

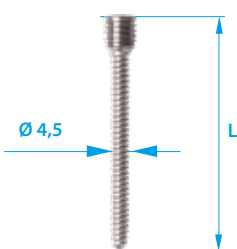
Material: Wrought titanium Ti6Al4V alloy (ISO 5832-3)



Diameter [mm]	L [mm]	Order number
6,5	25	331950
	30	331952
	35	331954
	40	331956
	45	331958
	55	331962

■ Angular stable screw for cementless shell - type TC

Material: Wrought titanium Ti6Al4V alloy (ISO 5832-3)



Diameter [mm]	L [mm]	Order number
4,5	25	331970
	30	331972
	35	331974
	40	331976
	45	331978
	55	331980

■ Revision knee endoprosthesis - type SVR

The revision option of knee joint replacement derived from the successful primary knee endoprosthesis, type SVL.

The implants is namely intended for:

- revision surgery when components became loosen due to larger bone losses.
- surgery of knee joints in cases when either a fibrous instability or an extensor deficiency with excision of posterior crucial ligament were found.
- some injury indications (e.g. periprothetic fractures)

The implant consists of the components as follows (details see pages 20 to 31) :

- Femoral component – type SVR
- Tibial component – type SVR
- Insert – type SVR
- Femoral stem with femoral fitting – type SVR
- Tibial stem type SVR

To be used optionally :

- Tibial augmentation - shaped
 - bevelled
 - block
- Femoral augmentation - dorsal
 - distal



■ Hinge rotation knee endoprosthesis - type CMS

The anatomically constrained knee replacement with an inner rotation. Due to its higher stability it can be applied (with an advantage) as a custom-made option in younger patients.

The implant is namely intended for:

- patients with deformation changes and deep instability of knee joint
- patients either with bone tumors in the knee section or with huge bone defects being of different origin.

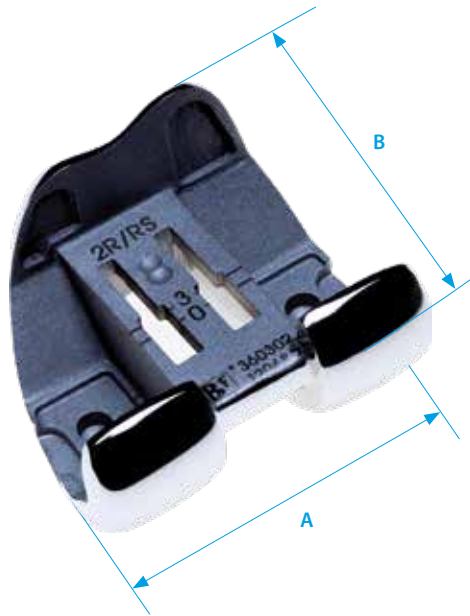
The implant consists of the components as follows (details see pages 32 to 35) :

- Femoral component – type CMS
- Tibial component – type CMS
- Insert – type CMS
- Hanging item
- Rotating item
- Femoral stem – type SVR
- Tibial stem – type SVR



■ Femoral component - type SVR

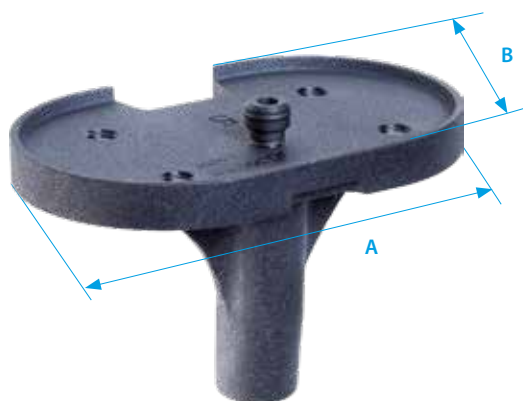
Material: Co-Cr-Mo casting alloy (ISO 5832-4)



Size	Left (L) / right (R)	A transverse [mm]	B anteroposterior [mm]	Order number
2	L	64	56	360002
	R			360302
3	L	68	60	360003
	R			360303
4	L	72	64	360004
	R			360304
5	L	76	68	360005
	R			360305
6	L	82	74	360006
	R			360306

■ Tibial component - type SVR

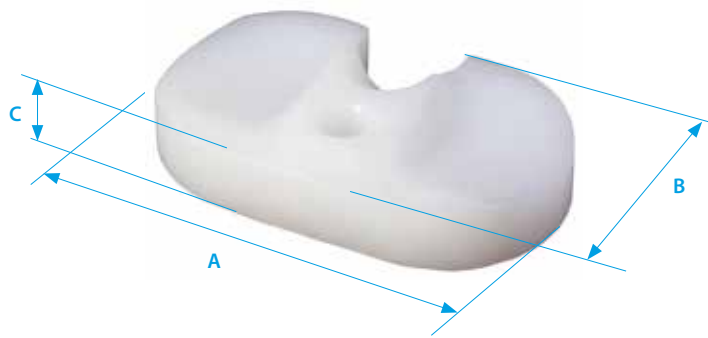
Material: Wrought titanium Ti6Al4V alloy (ISO 5832-3)



Size	A transverse [mm]	B anteroposterior [mm]	Order number
1	63	40	360701
2	68	42	360702
3	73	45	360703
4	78	49	360704
5	83	53	360705
6	88	57	360706

■ Insert - type SVL/SVR

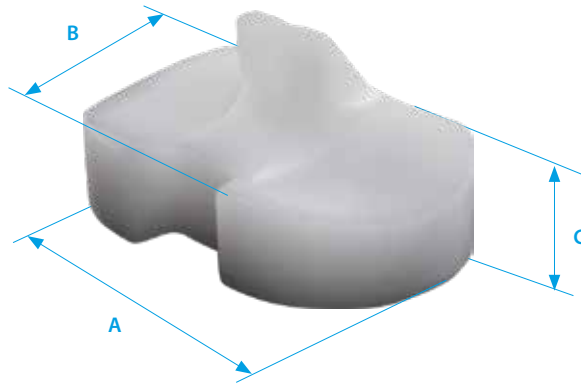
Material: UHMWPE (ISO 5834-2)



Size	Thickness C [mm]	A transverse [mm]	B anteroposterior [mm]	Order number
1	8	60	37	358301
	10			358302
	12			358303
	15			358304
	18			358305
2	8	65	39	358311
	10			358312
	12			358313
	15			358314
	18			358315
3	8	70	42	358321
	10			358322
	12			358323
	15			358324
	18			358325
4	8	75	46	358331
	10			358332
	12			358333
	15			358334
	18			358335
5	8	80	50	358341
	10			358342
	12			358343
	15			358344
	18			358345
6	8	85	54	358351
	10			358352
	12			358353
	15			358354
	18			358355

■ Insert - type SVR

Material: UHMWPE (ISO 5834-2)



Size	Thickness C [mm]	A transverse [mm]	B anteroposterior [mm]	Order number	Size	Thickness C [mm]	A transverse [mm]	B anteroposterior [mm]	Order number
1	8	60	37	360711	5	8	80	50	360751
	10			360712		10			360752
	12			360713		12			360753
	15			360714		15			360754
	18			360715		18			360755
	22			360716		22			360756
	26			360717		26			360757
2	8	65	39	360721	6	8	85	54	360761
	10			360722		10			360762
	12			360723		12			360763
	15			360724		15			360764
	18			360725		18			360765
	22			360726		22			360766
	26			360727		26			360767
3	8	70	42	360731	3	8	85	54	360731
	10			360732		10			360732
	12			360733		12			360733
	15			360734		15			360734
	18			360735		18			360735
	22			360736		22			360736
	26			360737		26			360737
4	8	75	46	360741	4	8	85	54	360741
	10			360742		10			360742
	12			360743		12			360743
	15			360744		15			360744
	18			360745		18			360745
	22			360746		22			360746
	26			360747		26			360747

■ Cementless femoral stem - type SVR

Material: Wrought titanium Ti6Al4V alloy (ISO 5832-3)

Diameter D [mm]	L [mm]	Order number
12	120	360610
	180	360612
14	120	360620
	180	360622
16	120	360630
	180	360632
18	120	360640
	180	360642
20	120	360650
	180	360652
22	120	360660
	180	360662



■ Femoral fitting - type SVR

Material: Wrought titanium Ti6Al4V alloy (ISO 5832-3)

Size	Valgosity (°)	Order number
I	5	360550
	7	360552
II	5	360560
	7	360562



Note: Type I is intended just for size 2 of femoral component, while type II is intended for all other sizes of femoral component.

■ Cementless tibial stem - type SVR

Material: Wrought titanium Ti6Al4V alloy (ISO 5832-3)



Diameter D [mm]	L [mm]	Order number
10	80	360900
	120	360902
	180	360904
12	80	360910
	120	360912
	180	360914
14	80	360920
	120	360922
	180	360924
16	80	360930
	120	360932
	180	360934
18	80	360940
	120	360942
	180	360944
20	80	360950
	120	360952
	180	360954

■ Shaped tibial augmentation - type SVR

Material: Wrought titanium Ti6Al4V alloy (ISO 5832-3)



Size	Left (L) / right (R)	Degree (°)	Order number
1	L	10	361001
		20	361002
	R	10	361005
		20	361006
2	L	10	361011
		20	361012
	R	10	361015
		20	361016
3	L	10	361021
		20	361022
	R	10	361025
		20	361026
4	L	10	361031
		20	361032
	R	10	361035
		20	361036
5	L	10	361041
		20	361042
	R	10	361045
		20	361046
6	L	10	361051
		20	361052
	R	10	361055
		20	361056

■ Bevelled tibial augmentation - type SVR

Material: Wrought titanium Ti6Al4V alloy (ISO 5832-3)



Size	Left (L) / right (R)	Degree (°)	Order number
1	L	5	361101
		10	361102
	R	5	361105
		10	361106
2	L	5	361111
		10	361112
	R	5	361115
		10	361116
3	L	5	361121
		10	361122
	R	5	361125
		10	361126
4	L	5	361131
		10	361132
	R	5	361135
		10	361136
5	L	5	361141
		10	361142
	R	5	361145
		10	361146
6	L	5	361151
		10	361152
	R	5	361155
		10	361156

■ Block tibial augmentation - type SVR

Material: Wrought titanium Ti6Al4V alloy (ISO 5832-3)



Size	Left (L) / right (R)	Thickness [mm]	Order number
1	L	8	361201
		15	361202
	R	8	361205
		15	361206
2	L	8	361211
		15	361212
	R	8	361215
		15	361216
3	L	8	361221
		15	361222
	R	8	361225
		15	361226
4	L	8	361231
		15	361232
	R	8	361235
		15	361236
5	L	8	361241
		15	361242
	R	8	361245
		15	361246
6	L	8	361251
		15	361252
	R	8	361255
		15	361256

■ Dorsal femoral augmentation - type SVR

Material: Wrought titanium Ti6Al4V alloy (ISO 5832-3)



Size	Left (L) / right (R)	Thickness [mm]	Order number
2	L	4	360120
		10	360122
	R	4	360420
		10	360422
3	L	4	360130
		10	360132
	R	4	360430
		10	360432
4	L	4	360140
		10	360142
	R	4	360440
		10	360442
5	L	4	360150
		10	360152
	R	4	360450
		10	360452
6	L	4	360160
		10	360162
	R	4	360460
		10	360462

■ Distal femoral augmentation for left femoral component - type SVR

Material: Wrought titanium Ti6Al4V alloy (ISO 5832-3)

Size	Left (L) / right (R)	Thickness of distal augmentation [mm]	Thickness of dorsal augmentation [mm]	Marks	Order number
2	L	4	4/10	4	360020
		10	-	10/0	360022
			4	10/4	360023
	R	10	10	10/10	360024
		4	4/10	4	360025
			-	10/0	360027
10	R	4	10/4	360028	
		10	10/10	360029	
	4	4/10	4	360030	
3	L	4	4/10	4	360030
		10	-	10/0	360032
			4	10/4	360033
	R	10	10	10/10	360034
		4	4/10	4	360035
			-	10/0	360037
10	R	4	10/4	360038	
		10	10/10	360039	
	4	4/10	4	360040	
4	L	4	4/10	4	360040
		10	-	10/0	360042
			4	10/4	360043
	R	10	10	10/10	360044
		4	4/10	4	360045
			-	10/0	360047
10	R	4	10/4	360048	
		10	10/10	360049	
	4	4/10	4	360050	
5	L	4	4/10	4	360050
		10	-	10/0	360052
			4	10/4	360053
	R	10	10	10/10	360054
		4	4/10	4	360055
			-	10/0	360057
10	R	4	10/4	360058	
		10	10/10	360059	
	4	4/10	4	360060	
6	L	4	4/10	4	360060
		10	-	10/0	360062
			4	10/4	360063
	R	10	10	10/10	360064
		4	4/10	4	360065
			-	10/0	360067
10	R	4	10/4	360068	
		10	10/10	360069	

■ Distal femoral augmentation for right femoral component - type SVR

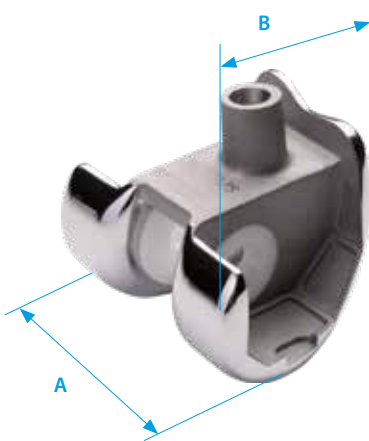
Material: Wrought titanium Ti6Al4V alloy (ISO 5832-3)



Size	Left (L) / right (R)	Thickness of distal augmentation [mm]	Thickness of dorsal augmentation [mm]	Marks	Order number
2	L	4	4/10	4	360320
		10	-	10/0	360322
			4	10/4	360323
	R	10	10	10/10	360324
		4	4/10	4	360325
			-	10/0	360327
10	4	4	10/4	360328	
		10	10/10	360329	
	10	10/10	360329		
3	L	4	4/10	4	360330
		10	-	10/0	360332
			4	10/4	360333
	R	10	10	10/10	360334
		4	4/10	4	360335
			-	10/0	360337
10	4	4	10/4	360338	
		10	10/10	360339	
	10	10/10	360339		
4	L	4	4/10	4	360340
		10	-	10/0	360342
			4	10/4	360343
	R	10	10	10/10	360344
		4	4/10	4	360345
			-	10/0	360347
10	4	4	10/4	360348	
		10	10/10	360349	
	10	10/10	360349		
5	L	4	4/10	4	360350
		10	-	10/0	360352
			4	10/4	360353
	R	10	10	10/10	360354
		4	4/10	4	360355
			-	10/0	360357
10	4	4	10/4	360358	
		10	10/10	360359	
	10	10/10	360359		
6	L	4	4/10	4	360360
		10	-	10/0	360362
			4	10/4	360363
	R	10	10	10/10	360364
		4	4/10	4	360365
			-	10/0	360367
10	4	4	10/4	360368	
		10	10/10	360369	
	10	10/10	360369		

■ Femoral component - type CMS

Material: Co-Cr-Mo casting alloy (ISO 5832-4)



Size	Left (L) / right (R)	A transverse [mm]	B anteroposterior [mm]	Order number
2	L	64	56	341550
	R			341560
3	L	68	60	341551
	R			341561
4	L	72	64	341552
	R			341562
5	L	75	68	341553
	R			341563

■ Cementless femoral stem - type SVR

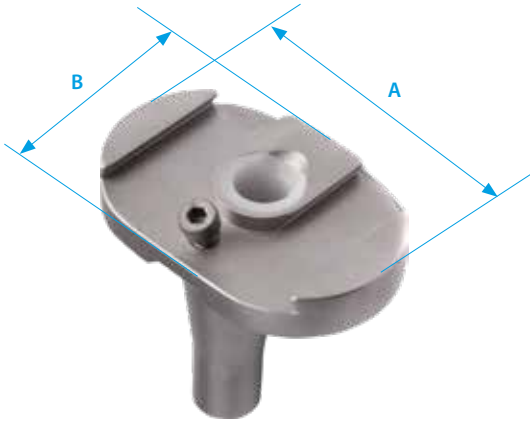
Material: Wrought titanium Ti6Al4V alloy (ISO 5832-3)



Diameter D [mm]	L [mm]	Order number
12	120	360610
	180	360612
14	120	360620
	180	360622
16	120	360630
	180	360632
18	120	360640
	180	360642
20	120	360650
	180	360652
22	120	360660
	180	360662

■ Tibial component - type CMS

Material: Stainless steel (ISO 5832-1)



Size	A transverse [mm]	B anteroposterior [mm]	Order number
2	64	42	341610
3	68	45	341611
4	72	48	341612
5	78	51	341613

■ Cementless tibial stem - type CMS

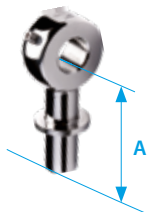
Material: Wrought titanium Ti6Al4V alloy (ISO 5832-3)



Diameter D [mm]	L [mm]	Order number
10	80	360900
	120	360902
	180	360904
12	80	360910
	120	360912
	180	360914
14	80	360920
	120	360922
	180	360924
16	80	360930
	120	360932
	180	360934
18	80	360940
	120	360942
	180	360944
20	80	360950
	120	360952
	180	360954

■ Hanging item - type CMS

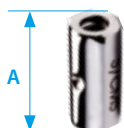
Material: Wrought high nitrogen stainless steel (ISO 5832-9)



Size	Thickness of surface [mm]	Marks (Size/Thickness)	A [mm]	Order number
2	12	2/12	45	341565
	15	2/15	48	341566
	20	2/20	53	341568
3	12	3/12	45	341570
	15	3/15	48	341571
	20	3/20	53	341573
4	12	4/12	45	341575
	15	4/15	48	341576
	20	4/20	53	341578
5	12	5/12	45	341580
	15	5/15	48	341581
	20	5/20	53	341583

■ Rotating item - type CMS

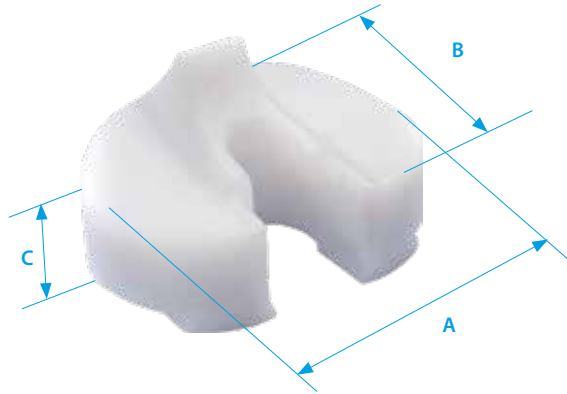
Material: Stainless steel (ISO 5832-1)



Size	A [mm]	Order number
2	25	341600
3	26	341601
4	27	341602
5	28	341603

■ Insert - type CMS

Material: UHMWPE (ISO 5834-2)



Size	Thickness C [mm]	A transverse [mm]	B anteroposterior [mm]	Order number
2	12	64	42	341620
	15			341621
	20			341623
3	12	68	45	341625
	15			341626
	20			341628
4	12	72	48	341630
	15			341631
	20			341633
5	12	78	51	341635
	15			341636
	20			341638




BEZNOSKA

We bring back joy to movement



■ Contact

Export:

 tel.: +420 312 811 221

CE 1014

BEZNOSKA, s.r.o.
Dělnická 2727, 272 01 Kladno, Czech Republic
www.beznoska.com, export@beznoska.cz

tel.: +420 312 660 670
GSM: +420 602 666 503
fax: +420 312 660 216
+420 312 662 464